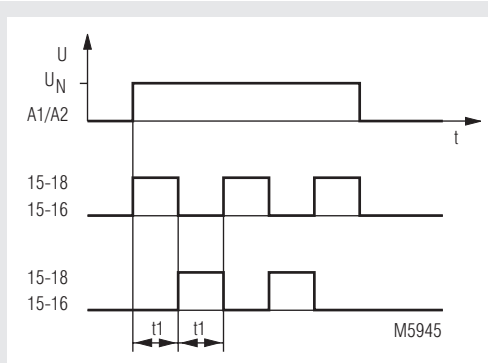


MINITIMER Flasher Relay MK 7851



- According to IEC/EN 61 812-1
- Adjustable flashing frequency, impulse time up to 300 s
- Repeat accuracy $< \pm 0.5 \%$
- Adjustable on absolute scale
- Start with impulse
- Available start with space
- dual-voltage version
- LED indication for operation and contact position
- 2 changeover contacts
- Width 22.5 mm

Function Diagram



Approvals and Marking



Indicators

upper LED: on, when supply connected
lower LED: on, when output relay active (contact 15-18 closed)

Technical Data

Time circuit

Time ranges:

0.05 ...	1 s = 600...30 Impulses/min
0.15 ...	3 s
0.5 ...	10 s
1.5 ...	30 s
3 ...	60 s
5 ...	100 s
15 ...	300 s

Pulse duty factor: 1:1

Time setting: stepless on absolute scale

Recovery time

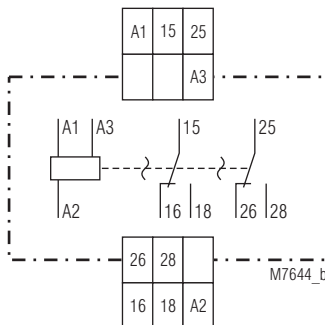
tw 50 / 100: < 40 ms

Repeat accuracy: $< \pm 0.5 \%$ of the max. scale value

Voltage influence: $\leq 1 \%$

Temperature influence: $< 0.1 \%$ / K

Circuit Diagram



MK 7851.82/024

Input

Nominal voltage U_N : AC/DC 24 V¹⁾ + AC 110 ... 127 V²⁾
AC/DC 24 V¹⁾ + AC 230 ... 240 V²⁾

¹⁾ at terminals A3 - A2

²⁾ at terminals A1 - A2

also available as

single voltage version:

AC/DC 12 V, AC/DC 42 ... 48 V

Voltage range:

AC 0.8 ... 1.1 U_N

DC 0.9 ... 1.25 U_N

Release voltage:

15 % U_N

Permissible residual current:

5 mA

Nominal consumption:

AC 230 V DC 24 V DC 42 V

8.5 VA 1 W 1 W

Nominal frequency:

50 / 60 Hz

Frequency range:

$\pm 5 \%$ f_N

Technical Data

Output

Contacts:	2 changeover contacts	
Release time:	approx. 30 ms	
Thermal current I_{th}:	5 A	
Switching capacity to AC 15:		
NO contact:	3 A / AC 230 V	IEC/EN 60 947-5-1
NC contact:	2 A / AC 230 V	IEC/EN 60 947-5-1
Electrical life to AC 15 at 3 A, AC 230 V:	5 x 10 ⁵ switching cycles	
Permissible switching frequency:	6 000 switching cycles / h	
Short circuit strength max. fuse rating:	4 A gL	
Mechanical life:	> 30 x 10 ⁶ switching cycles	

General Data

Operating mode:	Continuous operation	
Temperature range:	- 20 ... + 60°C	
Clearance and creepage distances rated impuls voltage/ pollution degree:	4 kV / 2	IEC 60 664-1
EMC		
Electrostatic discharge:	8 kV (air)	IEC/EN 61 000-4-2
HF irradiation:	10 V/m	IEC/EN 61 000-4-3
Fast transients:	2 kV	IEC/EN 61 000-4-4
Surge voltages between wires for power supply: between wire and ground: HF-wire guided:	1 kV 2 kV 10 V	IEC/EN 61 000-4-5 IEC/EN 61 000-4-5 IEC/EN 61 000-4-6
Interference suppression:	Limit value class B	EN 55 011
Degree of protection		
Housing:	IP 40	IEC/EN 60 529
Terminals:	IP 20	IEC/EN 60 529
Housing:	Thermoplastic with V0 behaviour according to UL subject 94	
Vibration resistance:	Amplitude 0.35 mm frequency 10 ... 55 Hz IEC/EN 60 068-2-6 20 / 060 / 04 IEC/EN 60 068-1	
Climate resistance:		
Terminal designation:	EN 50 005	
Wire connection:	2 x 1.5 mm ² solid or 2 x 1.0 mm ² stranded wire with sleeve DIN 46 228-1/-2/-3/-4	
Wire fixing:	Flat terminals with self-lifting clamping piece IEC/EN 60 999-1	
Mounting:	DIN rail IEC/EN 60 715	
Weight:	150 g	

Dimensions

Width x height x depth: 22.5 x 82 x 99 mm

Standard Type

MK 7851	AC/DC24V + AC220...240V	50/60Hz	0.5 ... 10 s	
Article number:	0044846			stock item
• Output:	2 changeover contacts			
• Nominal voltage U_N :	AC/DC 24 V + AC 220 ... 240 V			
• Time range:	0.5 ... 10 s			
• Width:	22.5 mm			

Variant

MK 7851/1 _ _ : start with space

Ordering example for variants

MK 7851 / _ _ _ AC/DC24V + AC230... 240V 50/60 Hz 15 ... 300 s

Time range
Nominal frequency
Nominal voltage
Variant, if required
Type

Accessories

ET 4752-143:	Marking plate Article number: 0043203
--------------	--